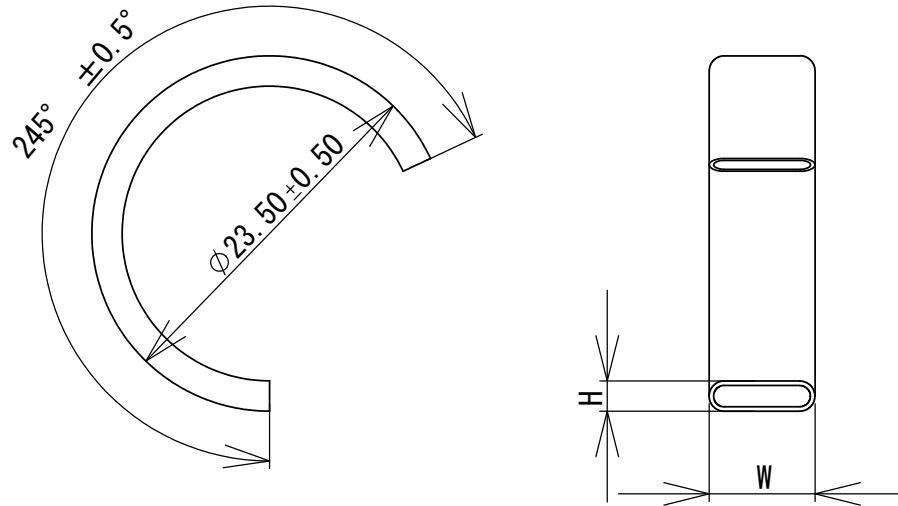


| | | | |
|---|-------|-----------------|-----|
| Unless otherwise specified: Dimensions are in Millimeters | | | |
| Nominal size | | | |
| 0.5 - 3.0: | ±0.05 | Surface Finish: | |
| 3.0 - 6.0: | ±0.1 | Radius: | |
| 6.0 - 30: | ±0.2 | Corner: | |
| 30 - 120: | ±0.3 | Liner: | |
| 120 - 315: | ±0.5 | Angular: | ±2° |
| 315 - 1000: | ±0.8 | | |



Debur and Break Sharp Edges



Scale (2:1)

| Pressure Range (MPa) | Section Type | W | H | Tip Travel | Pressure Range (MPa) | Section Type | W | H | Tip Travel |
|----------------------|--------------|---------|---------|------------|----------------------|--------------|---------|---------|------------|
| | | ±0.30mm | ±0.20mm | ±0.20mm | | | ±0.30mm | ±0.20mm | ±0.20mm |
| | | | | | | | | | |
| | | | | | | | | | |
| | | | | | 0-1.5 | B/C | 6.60 | 2.10 | 1.5 |
| | | | | | 0-1.0 | B/C | 6.80 | 2.10 | 1.5 |
| | | | | | 0-0.7 | B/C | 7.00 | 2.00 | 1.5 |
| | | | | | 0-0.6 | B/C | 6.90 | 2.00 | 1.5 |
| | | | | | 0-0.4 | B/C | 7.00 | 2.00 | 1.5 |
| | | | | | 0-0.3 | B/C | 7.10 | 2.00 | 1.5 |
| | | | | | 0-0.2 | B/C | 7.35 | 2.00 | 1.5 |

Parts Name: C-Type Bourdon Tube 24 mm OD

Material: C5191 CuSn6

Drawn: Kaz Miyasaka
Date: 2003/08/26

Drawing No. C24

FUJI BURUDON MFG CO LTD

Proprietary and Confidential

The information contained in this drawing is the sole property of Fuji Burudon MFG. Any reproduction in part or as a whole without the written permission of Fuji Burudon MFG. is prohibited.