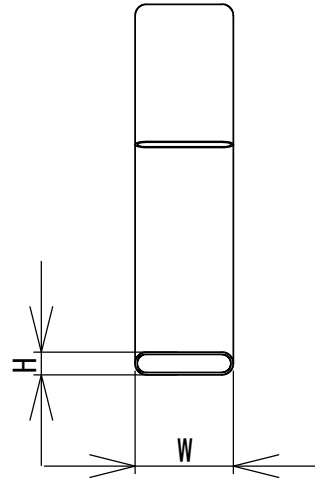
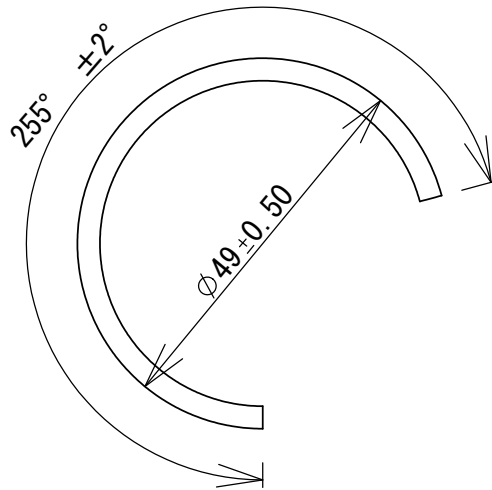
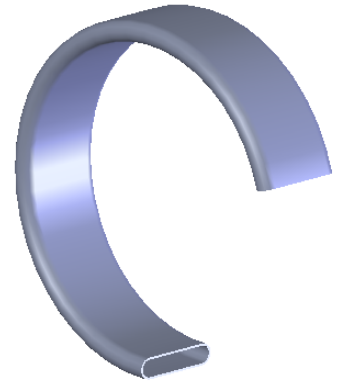


Unless otherwise specified: Dimensions are in Millimeters			
Nominal size			
0.5 - 3.0:	±0.05	Surface Finish:	
3.0 - 6.0:	±0.1	Radius:	
6.0 - 30:	±0.2	Corner:	
30 - 120:	±0.3	Liner:	
120 - 315:	±0.5	Angular:	±2°
315 - 1000:	±0.8		

### Debur and Break Sharp Edges



Scale (1:1)

Pressure Range (MPa)	Section Type	W	H	Tip Travel	Pressure Range (MPa)	Section Type	W	H	Tip Travel
		±0.30mm	±0.30mm	±0.25mm			±0.30mm	±0.30mm	±0.25mm
					0-1.0	C	12.8	3.1	3.0
					0-0.7	C	13.0	3.0	3.0
0-10.0	C			3.0	0-0.6	C	13.1	3.0	3.0
0-7.0	C			3.0	0-0.5	C	13.0	3.2	3.0
0-5.0	C	12.2	3.7	3.0	0-0.4	C	13.0	3.4	3.0
0-4.0	C			3.0	0-0.3	C	13.0	3.3	3.0
0-3.5	C	12.3	3.3	3.0	0-0.25	C	12.0	3.2	3.0
0-3.0	C	12.6	3.3	3.0	0-0.2	A/C	13.0	3.5	3.0
0-2.5	C	12.3	3.4	3.0	0-0.16	A/C	13.4	3.4	3.0
0-2.0	C	12.3	3.5	3.0	0-0.1	A/C	13.4	3.3	3.0
0-1.5	C	12.4	3.2	3.0	0-0.05	A/C	13.5	3.2	3.0

Parts Name: C-Type Bourdon Tube 49 mm OD SS

Material: SUS 316  
AISI 316

Drawn: Kaz Miyasaka  
Date: 2004/11/26

Drawing No. C49SS

**FUJI BURUDON MFG CO LTD**

**Proprietary and Confidential**

The information contained in this drawing is the sole property of Fuji Burudon MFG. Any reproduction in part or as a whole without the written permission of Fuji Burudon MFG. is prohibited.