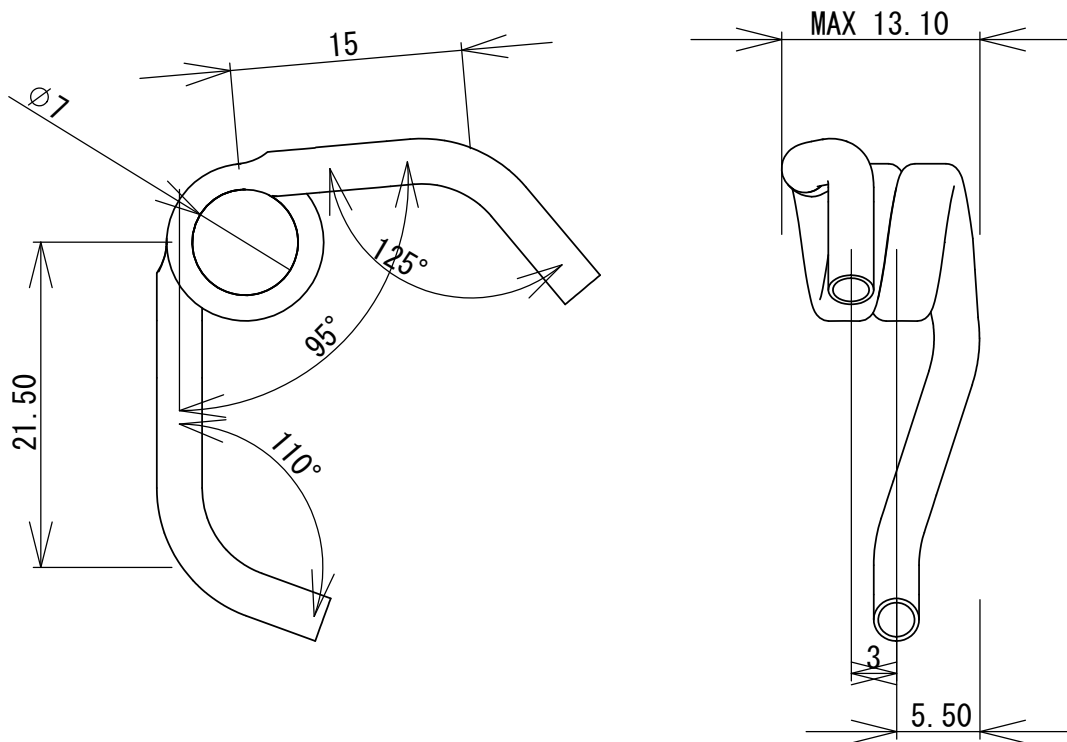


Unless otherwise specified: Dimensions are in Millimeters			
Nominal size		Surface Finish:	
0.5 - 3.0:	±0.05	Radius:	
3.0 - 6.0:	±0.1	Corner:	
6.0 - 30:	±0.2	Liner:	
30 - 120:	±0.3	Angular:	±2°
120 - 315:	±0.5		
315 - 1000:	±0.8		



Debur and Break Sharp Edges



Scale (2:1)

Pressure Range (MPa)	Coils	Tube OD (mm)	Tip Travel ±0.20mm	Pressure Range (MPa)	Coils	Tube OD (mm)	Tip Travel ±0.20mm
				0-40	Double	3.0	2.2
				0-25	Double	3.0	2.2
				0-16	Double	3.0	2.2
				0-10	Double	3.0	2.2
				0-6	Double	3.0	2.2

Parts Name: Helical Tube for 40mm/1.5"		Material: C5191 CuSn6	Drawn: Kaz Miyasai Date: 2003/09/11
Drawing No. HD40A		Proprietary and Confidential	
FUJI BURUDON MFG CO LTD		The information contained in this drawing is the sole property of Fuji Burudon MFG. Any reproduction in part or as a whole without the written permission of Fuji Burudon MFG. is prohibited.	