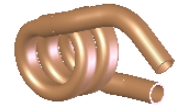
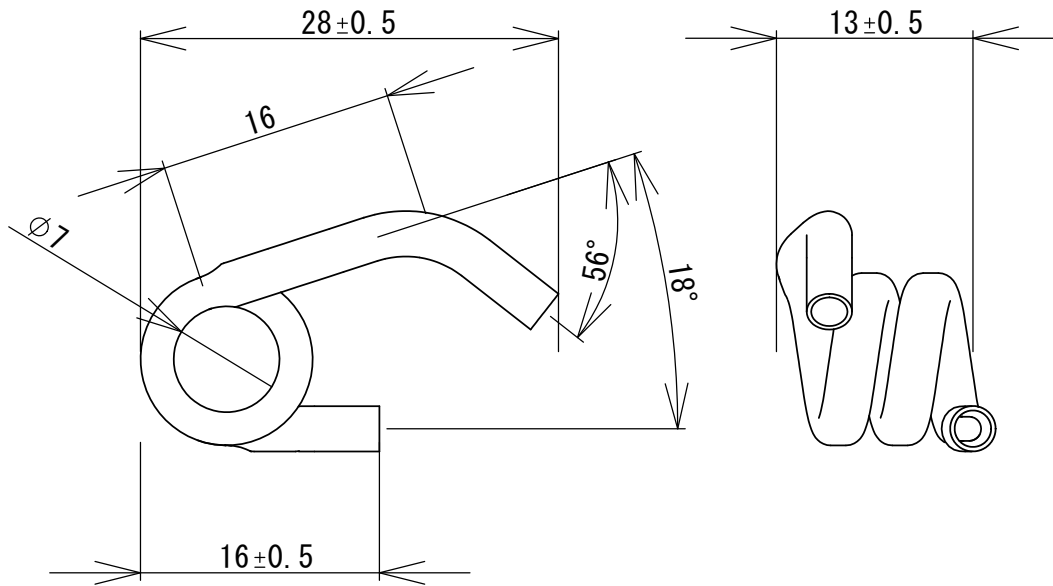


Unless otherwise specified: Dimensions are in Millimeters			
Nominal size			
0.5 - 3.0:	±0.05	Surface Finish:	
3.0 - 6.0:	±0.1	Radius:	
6.0 - 30:	±0.2	Corner:	
30 - 120:	±0.3	Liner:	
120 - 315:	±0.5	Angular:	±2°
315 - 1000:	±0.8		



Debur and Break Sharp Edges



Scale (2:1)

Pressure Range (MPa)	Coils	Tube OD (mm)	Tip Travel (±0.20mm)	Pressure Range (MPa)	Coils	Tube OD (mm)	Tip Travel (±0.20mm)
				0-40	Double	3.0	2.2
				0-25	Double	3.0	2.2
				0-16	Double	3.0	2.2
				0-10	Double	3.0	2.2
				0-6	Double	3.0	2.2

Parts Name: Helical Tube for 40mm/1.5" Back Connection

Material: S5191 CuSn6

Drawn: Kaz Miyasaka
Date: 2003/09/16

Drawing No. HD40D
FUJI BURUDON MFG CO LTD

Proprietary and Confidential
The information contained in this drawing is the sole property of Fuji Burudon MFG. Any reproduction in part or as a whole without the written permission of Fuji Burudon MFG. is prohibited.