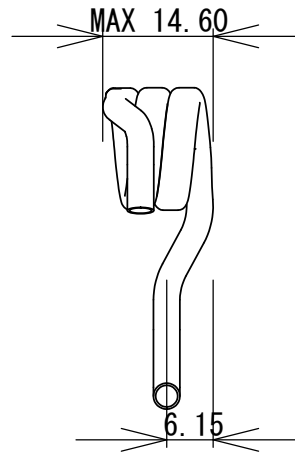
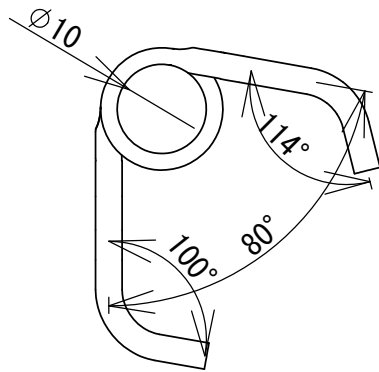
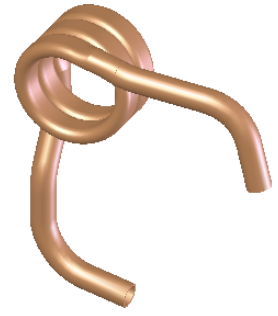


Unless otherwise specified: Dimensions are in Millimeters			
Nominal size			
0.5 - 3.0:	±0.05	Surface Finish:	
3.0 - 6.0:	±0.1	Radius:	
6.0 - 30:	±0.2	Corner:	
30 - 120:	±0.3	Liner:	
120 - 315:	±0.5	Angular:	±2°
315 - 1000:	±0.8		

Debur and Break Sharp Edges



Scale (1:1)

Pressure Range (MPa)	Coils	Tube OD (mm)	Tip Travel ±0.20mm	Pressure Range (MPa)	Coils	Tube OD (mm)	Tip Travel ±0.20mm
				0-40	Double	3.5	2.5
0-25	Single	3.0	1.6	0-25	Double	3.5	2.5
				0-16	Double	3.5	2.5
				0-10	Double	3.5	2.5
				0-6	Double	3.5	2.5

Parts Name: Helical Tube for 50mm/2"

Material: C5191 CuSn6

Drawn: Kaz Miyasaka
Date: 2003/09/15

Drawing No. HD50

FUJI BURUDON MFG CO LTD

Proprietary and Confidential

The information contained in this drawing is the sole property of Fuji Burudon MFG. Any reproduction in part or as a whole without the written permission of Fuji Burudon MFG. is prohibited.