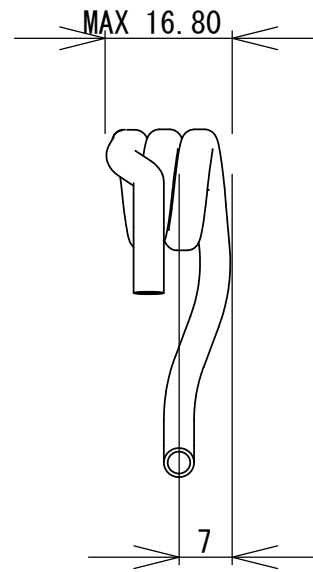
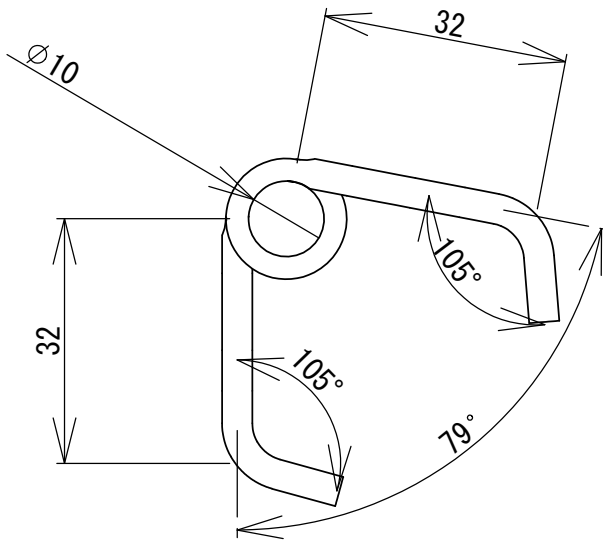


Unless otherwise specified: Dimensions are in Millimeters			
Nominal size			
0.5 - 3.0:	±0.05	Surface Finish:	
3.0 - 6.0:	±0.1	Radius:	
6.0 - 30:	±0.2	Corner:	
30 - 120:	±0.3	Liner:	
120 - 315:	±0.5	Angular:	±2°
315 - 1000:	±0.8		

**Debur and Break Sharp Edges**



Scale (1:1)

Pressure Range (MPa)	Coils	Tube OD (mm)	Tip Travel ±0.20mm	Pressure Range (MPa)	Coils	Tube OD (mm)	Tip Travel ±0.20mm
				0-100	Double	4.0	3.0
				0-60	Double	4.0	3.0
				0-40	Double	4.0	3.0
				0-25	Double	4.0	3.0
				0-16	Double	4.0	3.0
				0-10	Double	4.0	3.0
				0-6	Double	4.0	3.0

Parts Name: <b>Helical Tube for 60mm/2.5"</b>	Material: SUS316 AISI316	Drawn: <b>Kaz Miyasaka</b> Date: 2005/06/16
Drawing No. HD60SS	<b>Proprietary and Confidential</b> The information contained in this drawing is the sole property of Fuji Burudon MFG. Any reproduction in part or as a whole without the written permission of Fuji Burudon MFG. is prohibited.	
<b>FUJI BURUDON MFG CO LTD</b>		